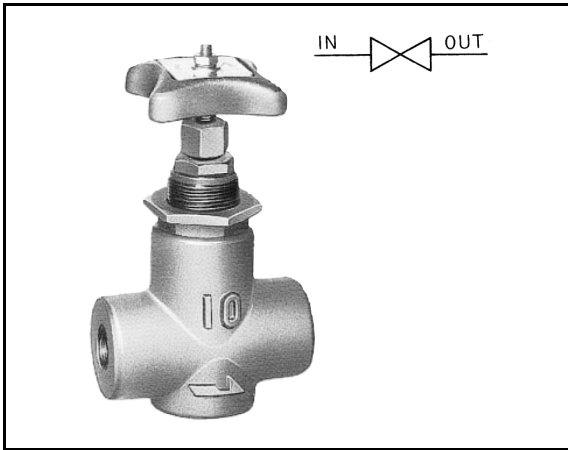


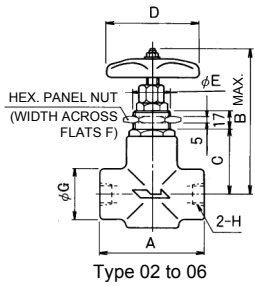
# HIGH-PRESSURE STOP VALVE (HS3)

The high-pressure stop valve is used to allow or stop hydraulic fluid flow in the main circuit.



Nominal Size	Rated Flow (L/min)	Max. Operating Pressure (MPa)	Connection Type		
			Thread	Flange	Gasket
02	20	21	○	○	○
03	40		○	○	○
04	75		○	○	
06	120		○	○	○

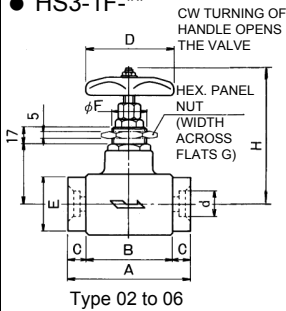
## ● HS3-1T-\*\*



Model	Symbol (Unit: mm)								Mass (kg)
	A	B	C	D	E	F	G	H	
HS3-1T-02A	90	136	57	80	32	46	45	Rc1/4	1.9
HS3-1T-03A	90	136	57	80	32	46	45	Rc3/8	1.9
HS3-1T-04A	110	162	67	100	38	50	52	Rc1/2	3.1
HS3-1T-06A	110	181	80	120	40	55	65	Rc3/4	4.2

**NOTE:** The panel nut is an accessory part.

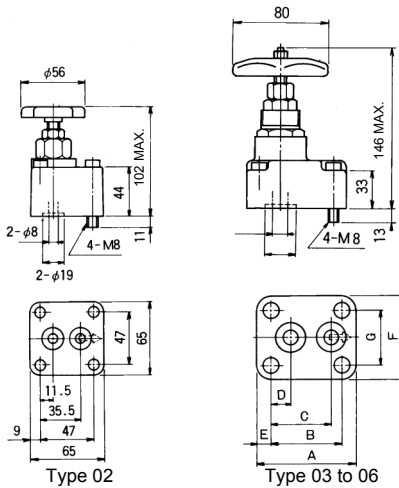
## ● HS3-1F-\*\*



Model	Symbol (Unit: mm)										Mass (kg)
	d	A	B	C	D	E	F	G	H	J	
HS3-1F-02A	14.3	122	80	21	80	54	32	46	136	57	3.7
HS3-1F-03A	17.8						38	50	162	67	
HS3-1F-04A	22.2	132	90		100	58	40	55	181	80	4.2
HS3-1F-06A	27.7	142	100		120	58	40	55	181	80	5.4

**NOTE:** The panel nut is an accessory part.

## ● HS3-1G-\*\*



Model	Symbol (Unit: mm)									
	A	B	C	D	E	F	G	H	J	K
HS3-1G-02A										
HS3-1G-03A	85	65	46.5	18.5	10	70	50	146	33	13
HS3-1G-06A	113	81	68.2	22.5	16	97	65	200.5	44	17

Model	Symbol (Unit: mm)				Mass (kg)	Accessory parts
	L	M	N	Q		
HS3-1G-02A					1.4	JISB1176M8 × 55
HS3-1G-03A	80	M8	22	10	2.4	JISB1176M8 × 45
HS3-1G-06A	120	M16	35	16	5.4	JISB1176M16 × 60