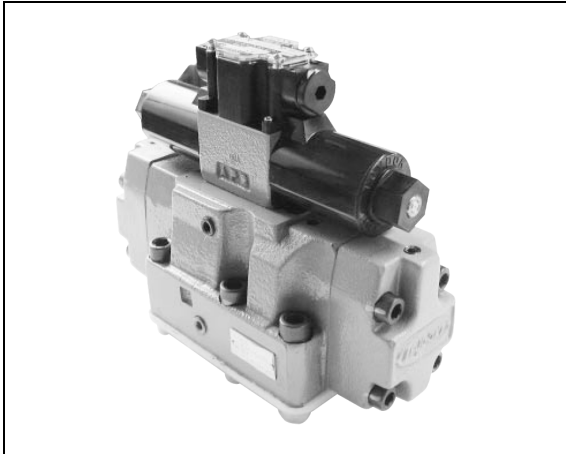


PILOT-OPERATED DIRECTIONAL CONTROL VALVE (HDD3 (C)-WY*) SIZE 04 / 06



This is an assembly of a solenoid valve and a directional control valve to operate the directional control valve (main valve) by means of the pilot pressure that is controlled by the solenoid valve, thereby switching the direction of flow of the fluid in the main circuit.

FEATURES

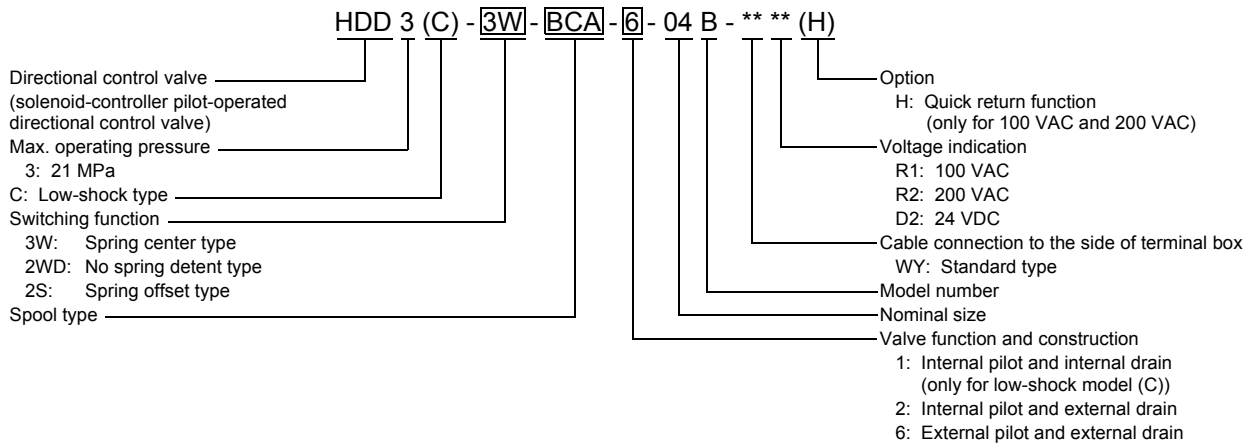
1. Mounting dimensions are ISO compatible.
2. A 025 series solenoid valve is used for a pilot valve to reduce the size and weight of the solenoid-controlled pilot-operated directional control valve.
3. Surge killer is standard.

⚠ Cautions on Use

Please read the Instruction Manual carefully to ensure correct usage.

- For an internal-pilot type valve, in which the R and P ports are connected when the solenoid is in the neutral position (BDA, AEB, BD1A), a back pressure of at least the pilot pressure must be applied to the R port.
- The switching frequency must be within 1 time/sec.
- For the solenoid characteristics, refer to HD3 series solenoid valve size 025 (page 93).
- This type of valve has internal pilot and internal drain type for low-shock model. For other models, external drain type is used.
- Finish the mounting faces to the same quality as the valve faces (3.2 μmRz).

MODEL DESIGNATION



NOTE: A low-power consumption type valve with choke is available as a special valve.

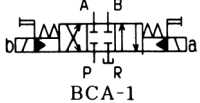
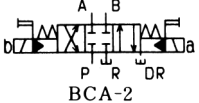
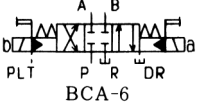

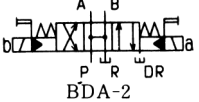

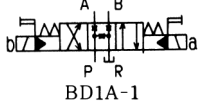
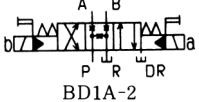



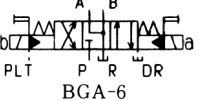
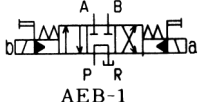

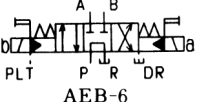






SPECIFICATIONS

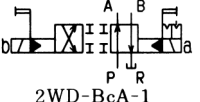

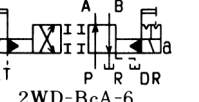
For , refer to page 108.

Nominal Size	Rated Flow (L/min)	Max. Flow (L/min)	Max. Operating Pressure (MPa)	Permissible Back Pressure (MPa)	Pilot Pressure (MPa)		Voltage Range (V)	Type	Model
					At Rated Flow	At Maximum Flow			
04	75	120	21	21	0.4	0.5	±10% or rated voltage	Double solenoid, spring centered	HDD3(C)-[3W-***-*]-04B-****(H)
								Double solenoid, no spring	HDD3(C)-[2W(D)-***-*]-04B-****(H)
								Single solenoid, spring offset	HDD3(C)-[2S-***-*]-04B-****(H)
06	120	190	21	21	(NOTE) 0.35 (0.4) or more	0.4	±10% or rated voltage	Double solenoid, spring centered	HDD3(C)-[3W-***-*]-06B-****(H)
								Double solenoid, no spring	HDD3(C)-[2W(D)-***-*]-06B-****(H)
								Single solenoid, spring offset	HDD3(C)-[2S-***-*]-06B-****(H)

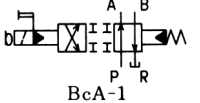
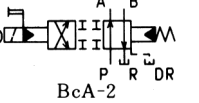
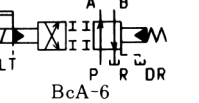


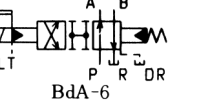
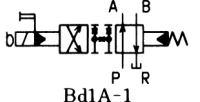
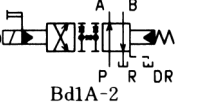
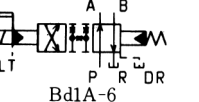
NOTE: Values in parentheses are the specifications of HDD3-3W-AEB-*-06B-WY**(S).

SPOOL TYPES

Function	Spring Center Type (3W)		
Model	HDD3(C)-3W- [***-] -*B-****		
Construction	Internal Pilot, External Drain	Internal Pilot, External Drain	External Pilot, External Drain
Spool type	 BCA-1	 BCA-2	 BCA-6
	 BDA-1	 BDA-2	 BDA-6
	 BD1A-1	 BD1A-2	 BDA-6
	 BGA-1	 BGA-2	 BGA-6
	 AEB-1	 AEB-2	 AEB-6
	 BMA-1	 BMA-2	 BMA-6
	 BNA-1	 BNA-2	 BNA-6

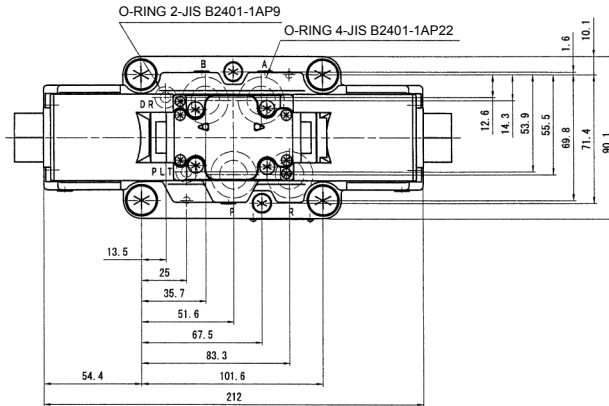
Function	No Spring Detent Type (2WD)		
Model	HDD3(C)-2W(D)- [***-] -*B-****		
Construction	Internal Pilot, External Drain	Internal Pilot, External Drain	External Pilot, External Drain
Spool type	 2WD-BcA-1	 2WD-BcA-2	 2WD-BcA-6

NOTE: No-spring detent type valves have the switchover position holding function in the pilot valve.

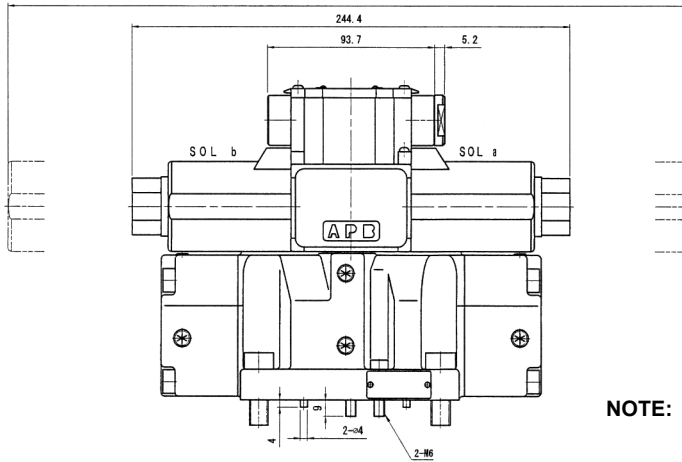
Function	Spring Offset Type (2S)		
Model	HDD3(C)-2S- [***-] -*B-****		
Construction	Internal Pilot, External Drain	Internal Pilot, External Drain	External Pilot, External Drain
Spool type	 BcA-1	 BcA-2	 BcA-6
	 BdA-1	 BdA-2	 BdA-6
	 Bd1A-1	 Bd1A-2	 Bd1A-6

EXTERNAL DIMENSIONS

- HHD3(C)- 3W -***_*-04B-WY**
2WD



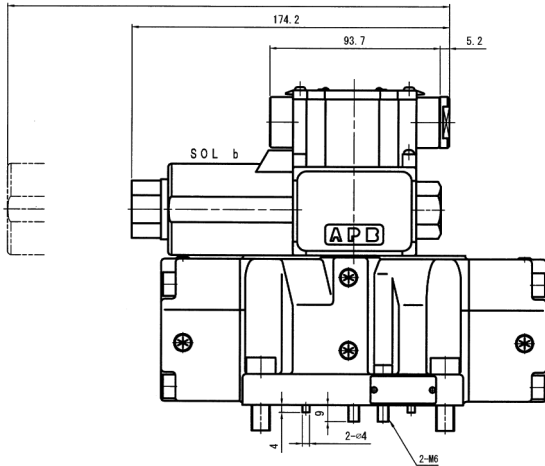
CLEARANCE REQUIRED TO REMOVE SOLENOID 380.8



NOTE: PLEASE PROTECT THIS SOLENOID VALVE FROM POSSIBLE SURGE PRESSURE WHILE IN USE.

- HHD3(C)-2S-***_*-04B-WY**

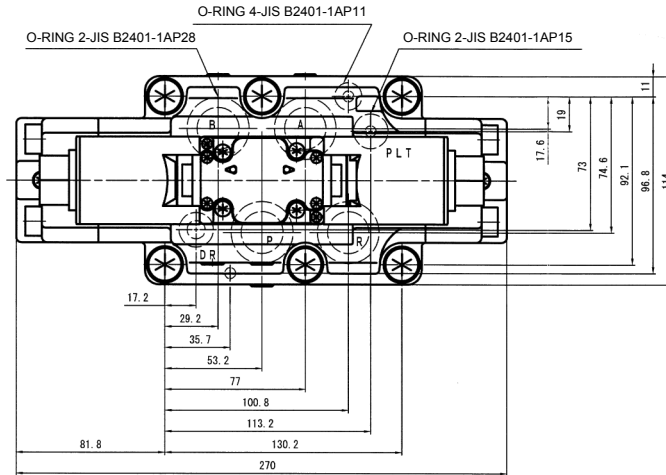
CLEARANCE REQUIRED TO REMOVE SOLENOID 242.4



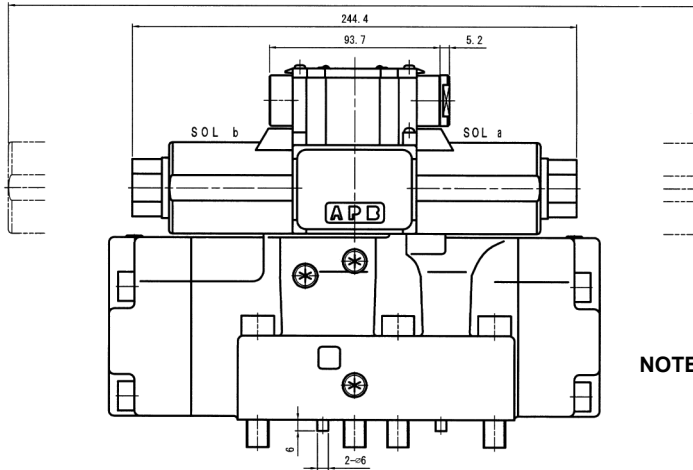
MASS: SINGLE SOLENOID: 8.7 kg
DOUBLE SOLENOID: 9.3 kg

EXTERNAL DIMENSION

- HHD3(C)-^{3W}/_{2WD} -***-*-06B-WY**



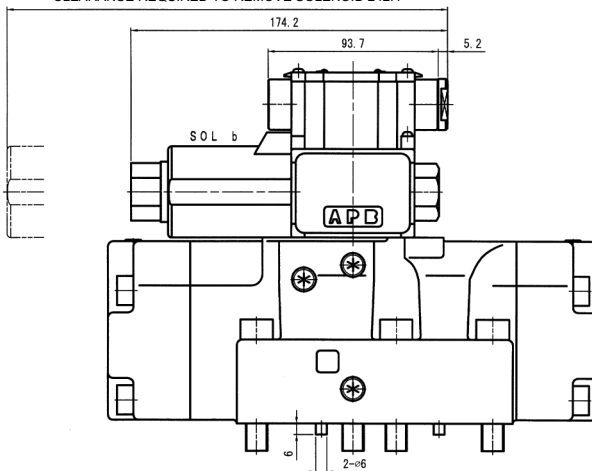
CLEARANCE REQUIRED TO REMOVE SOLENOID 380.8



NOTE: PLEASE PROTECT THIS SOLENOID VALVE FROM POSSIBLE SURGE PRESSURE WHILE IN USE.

- HHD3(C)-2S-***-*-06B-WY**

CLEARANCE REQUIRED TO REMOVE SOLENOID 242.4

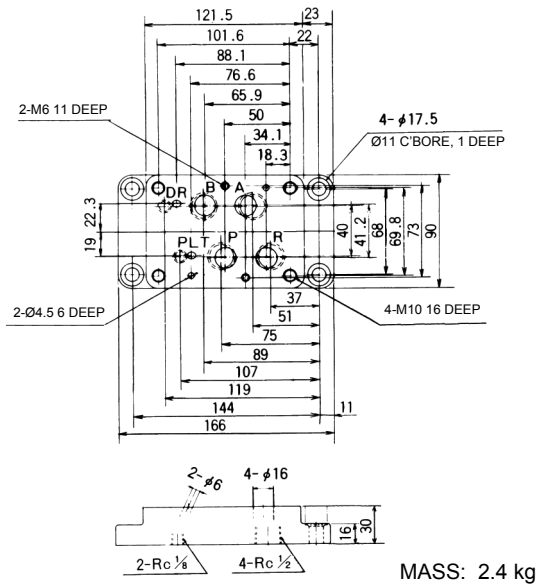


NOTE: PLEASE PROTECT THIS SOLENOID VALVE FROM POSSIBLE SURGE PRESSURE WHILE IN USE.

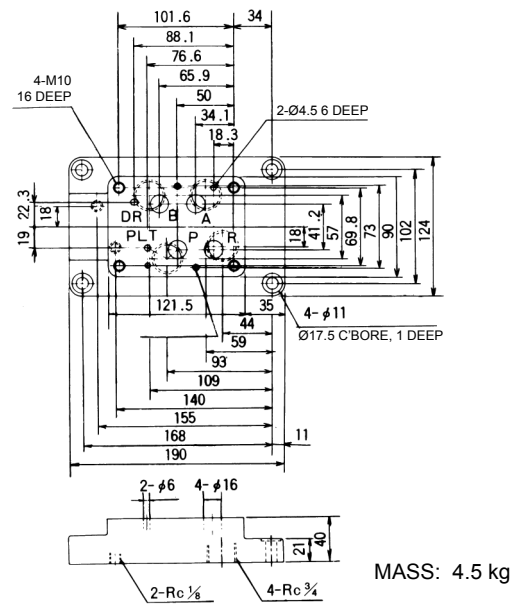
MASS: SINGLE SOLENOID: 15.7 kg
 DOUBLE SOLENOID: 16.4 kg

EXTERNAL DIMENSIONS

● SHD04-04T1

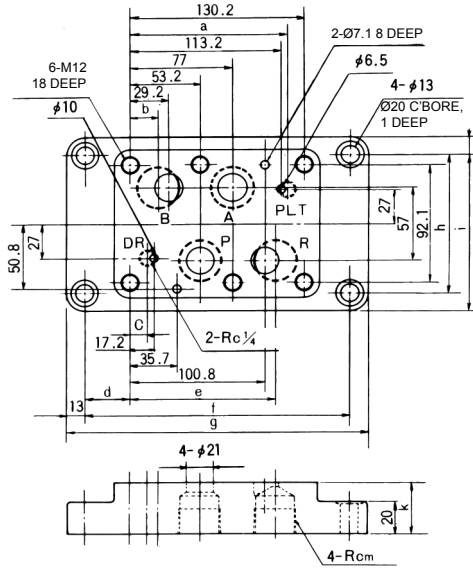


● SHD04-06T1



NOTE: FOR SHD04-**T3, REFER TO PAGE 307.

● SHD06-0-T1A



MASS: SHD06-06T1A: 4.8 kg
SHD06-08T1: 6 kg

NOTE: FOR SHD06-**T3, REFER TO PAGE 307.

Model	a	b	c	d	e	f	g	h	j	k	m
SHD06-06T1A	116	27	14.5	24.43	103	179	205	80	114	35	3/4
SHD06-08T1	117	21.5	13.5	33.9	109	198	224	108	134	40	1